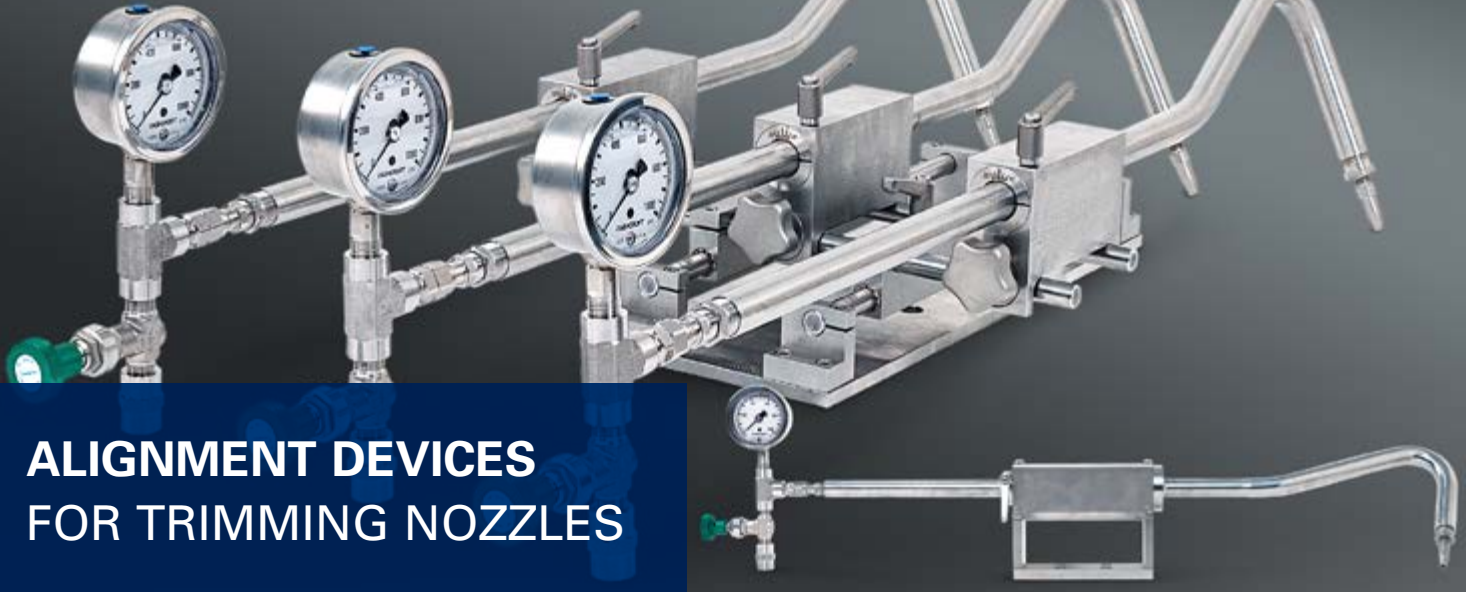




Spraying Systems Co.
Experts in Spray Technology



ALIGNMENT DEVICES FOR TRIMMING NOZZLES

MINIMIZE PAPER BREAKS AND ENSURE CLEAN CRISP EDGES WITH NEW SINGLE-PIPE AND MULTI-PIPE ALIGNMENT DEVICES

BENEFITS

- Quick and easy adjustment of UltraStream® nozzles to the exact trim position reducing downtime for nozzle alignment up to 70%
- Goose-necked pipe design prevents turbulence in pipe before nozzle
- Use with different paper widths and grades; horizontal and rotational adjustments can be made quickly and accurately in 10 mm increments to ensure precise control of nozzle location. No tools required
- Operator safety is ensured – handles and scales are located away from the nozzles
- Multi-pipe alignment devices provide redundant stream to prevent sheet breaks due to spitting or broken streams
- Alignment arms can be removed without disrupting remaining arms and nozzle locations
- Set-up is simple – UltraStream nozzles attach easily to arms

Precise control of nozzle location is easily accomplished using the rotational and horizontal scales



[youtube.com/spraying systems](https://youtube.com/spraying%20systems)

[SINGLE PIPE ALIGNMENT DEVICE](#)
[MULTI-PIPE ALIGNMENT DEVICE](#)

[VIEW ► DEMO](#)
[VIEW ► DEMO](#)

IDEAL FOR: EDGE-TRIMMING IN PAPERMAKING



PAWIN Engineering Co., Ltd.
168 อาคาร Axiom 1 น. 7 ถ. สิงหาคม ต. บางพลีใหญ่
อ. บางพลี จ. สมุทรปราการ 10540



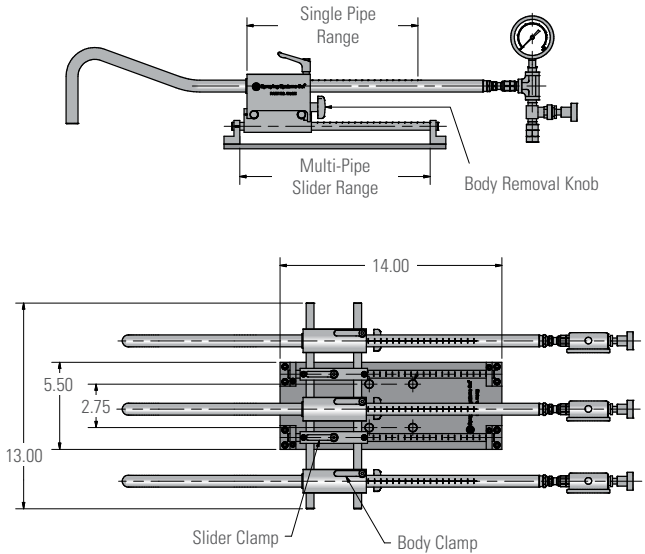
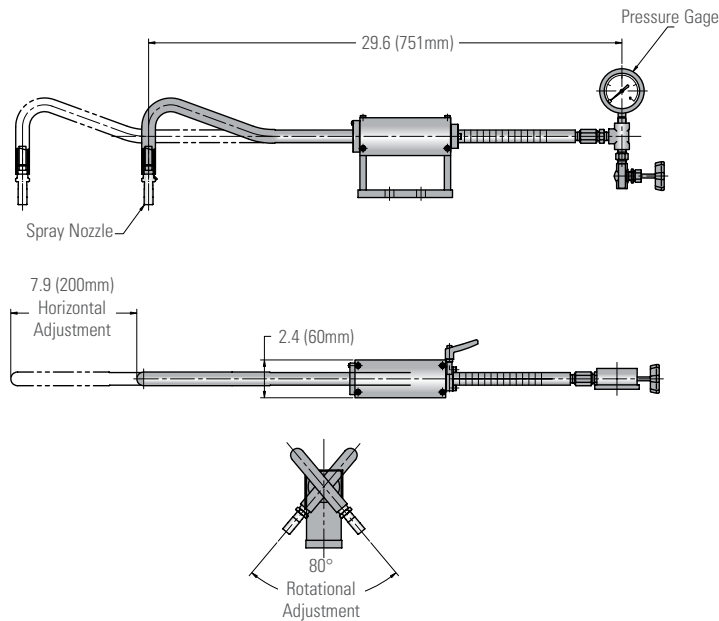
0-2911-4761-5, 095-365-8530-1

pawin@pawin.co.th

www.pawin.co.th

SINGLE-PIPE AND MULTI-PIPE ALIGNMENT DEVICES

SPECIFICATIONS



Y72020 SINGLE PIPE ALIGNMENT DEVICE

For single or dual UltraStream® nozzles with or without 38170 strainers

3/8" NPT outlet; 1/4" NPT inlet

Adjustment ranges:
Horizontal pipe adjustment range: 7.9" (200 mm)
Pipe rotational adjustment range: $\pm 40^\circ$

Material: Stainless steel

Dimensions: 36.5" L x 2.4" W x 6.2" H
(927 mm L x 60 mm W x 158 mm H)

Weight: 11 lbs (4.98 kg)

115450 MULTI-PIPE ALIGNMENT DEVICE

For single or dual UltraStream® nozzles with or without 38170 strainers

3/8" NPT outlet; 1/4" NPT inlet

Adjustment ranges:
Individual pipe horizontal adjustment range: 7.9" (200 mm)
Multi-pipe slider horizontal adjustment range: 7.9" (200 mm)
Individual pipe rotational adjustment range: $\pm 40^\circ$
Two pipe units available upon request

Material: Stainless steel

Dimensions: 29.6" L x 13" W x 6.2" H
(751 mm L x 330 mm W x 158 mm H)

Weight: 33 lbs (14.97 kg)



North Avenue and Schmale Road, P.O. Box 7900, Wheaton, IL 60187-7901 USA

Tel: 1.800.95.SPRAY Intl. Tel: 1.630.665.5000
Fax: 1.888.95.SPRAY Intl. Fax: 1.630.260.0842

www.spray.com



PAWIN Engineering Co., Ltd.

168 อาคาร Axiom 1 บ. 7 ถ. ซิ่งแก้ว ต. บางพลีใหญ่
อ. บางพลี จ. สมุทรปราการ 10540



☎ 0-2911-4761-5, 095-365-8530-1

✉ pawin@pawin.co.th

🌐 www.pawin.co.th

